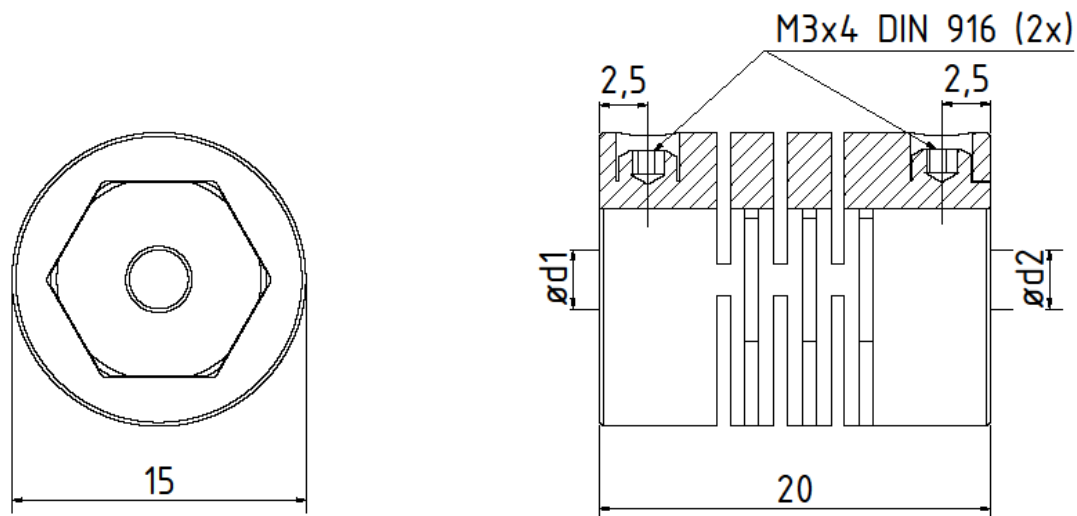


Coupling Plast

Technical data	SKPS 1520
Max offset of shaft:	
Radial	± 0,3 mm
Axial	± 0,2 mm
Angular	± 2,5 Degree
Moment of inertia	2 gcm ²
Max clamping torque	70 Ncm
Weight appr.	6 g
Temperatur range	-10 -> +80 °C



d1	d2	Type nr.	Ordering nr.	
2	2	SKPS 1520 02/02	08410095	*
3	3	SKPS 1520 03/03	08410096	*
4	4	SKPS 1520 04/04	08410001	
4	5	SKPS 1520 04/05	08410097	*
5	5	SKPS 1520 05/05	08410006	
5	6	SKPS 1520 05/06	08410098	*
6	6	SKPS 1520 06/06	08410003	

*Not on stock