



Type SCH50F

- Hollow Shaft Encoder - \varnothing 50 mm
- Hollow Bore: \varnothing 6 mm to \varnothing 8 mm
- Resolution up to 12.500 ppr
- IP 65 (IP 66 or IP 67 options)
Environmental Protection
- Formerly named 2RHF

Electrical Specifications

Code:	Incremental
Resolution:	1 to 12.500 ppr (pulses per revolution)
Supply Voltage:	4,5 Vdc min. to 30 Vdc max. (35 mA max. - no load) **
Output Voltage:	Low: 500 mV max. at 10 mA High: ($V_{in} - 0,6$) at -10 mA ($V_{in} - 1,3$) at -25 mA
Output Current:	30 mA max. load per output channel **
Frequency Response:	300 kHz max. **
Output Format:	Two channel (A, B) quadrature with Index (Z) and optional complementary (A-, B-, Z-) outputs
Phase Sense:	A leads B clockwise (CW) from the mounting end of the encoder
Index:	Gated with Channels A and B high
Accuracy:	+/- 0,8 arc-min.
Outputs:	ASIC Push pull and Differential OL7272 Push-pull and Differential Line Driver 26C31 Differential Line Driver 5V output (with 5V input)
Electrical Protection:	Reverse polarity and output short circuit protected
Noise Immunity:	Tested to EN61000-6-2 : 2005 (industrial environments) Electromagnetic compatibility (EMC) and EN 61000-6-3 : 2007 (residential, commercial, and light-industrial environments) for Electromagnetic compatibility (EMC)

**= It is recommended user not to combine max. Value for all 3 parameters

Mechanical Specifications

Material:	Housing: Aluminum Cap: Aluminum Hollow Shaft: Brass
Weight:	Encoder: ~ 120 gr (4,23 oz) Cable: 60 gr / meter (2,12 oz / meter)
Bearing Life:	> $1,9 \times 10^{10}$ revolutions at rated load
Shaft Speed:	12.000 rpm (max.)
Starting Torque:	< 0,01 Nm (1,42 oz-in) at 25° C
Mass Moment of Inertia:	4,0 gcm ² ($5,66 \times 10^{-5}$ oz-in-sec ²)
Hollow Shaft Loads:	Axial: 20 N (4,5 lbs) max. Radial: 20 N (4,5 lbs) max.

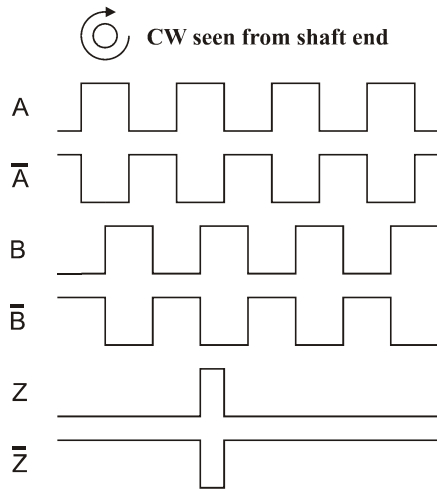
Environmental Specifications

Operating Temp.:	-40° to +85° C
Storage Temp.:	-40° to +85° C
Shock:	100 G / 11 ms
Vibration:	10-2000 Hz / 10 G
Bump:	10 G / 16 ms (1000 x 3 axis)
Humidity:	98 % RH without condensation
IP Rating:	IP 65 / Nema 5 (approx.) IP 66 / Nema 6 (approx.) option IP 67 / Nema 6 (approx.) option

Connection Options

Cable:	8 leads (0,14 mm ² , 26 AWG) twisted pairs; shielded
Connector:	5-pin M12 8-pin M12 9-pin M23 12-pin M23

Output waveform



Channel tolerance $180\text{ e}^\circ \pm 36\text{ e}^\circ$
Phase difference tolerance $90\text{ e}^\circ \pm 18\text{ e}^\circ$
Z channel tolerance $90\text{ e}^\circ \pm 18\text{ e}^\circ$

Disk Resolutions (Pulses per revolution)

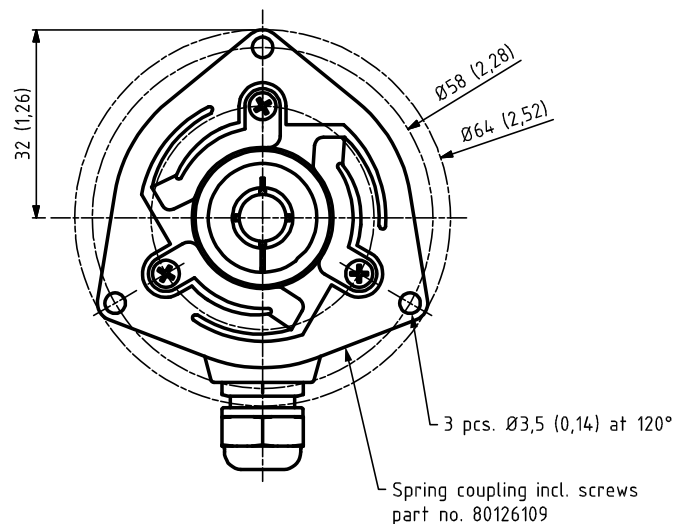
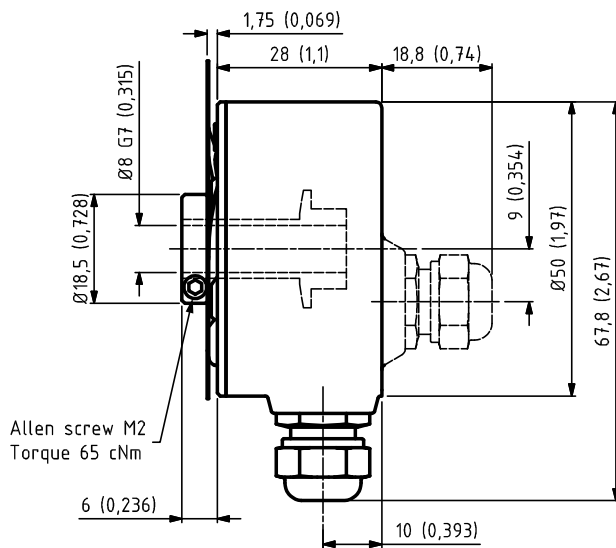
1	32	125	720	3072
2	36	150	800	3600
5	40	180	1000	4000
6	45	200	1024	4096
7	47	250	1131	5000
8	50	256	1200	8192
10	60	300	1250	9000*
12	64	360	1270	10000*
15	70	400	1500	12500*
16	75	455	2000	
18	80	500	2048	
20	90	512	2400	
25	100	600	2500	
30	120	635	3000	

Other options on request

Pulses per revolution,
 min. 1 – max. 12.500

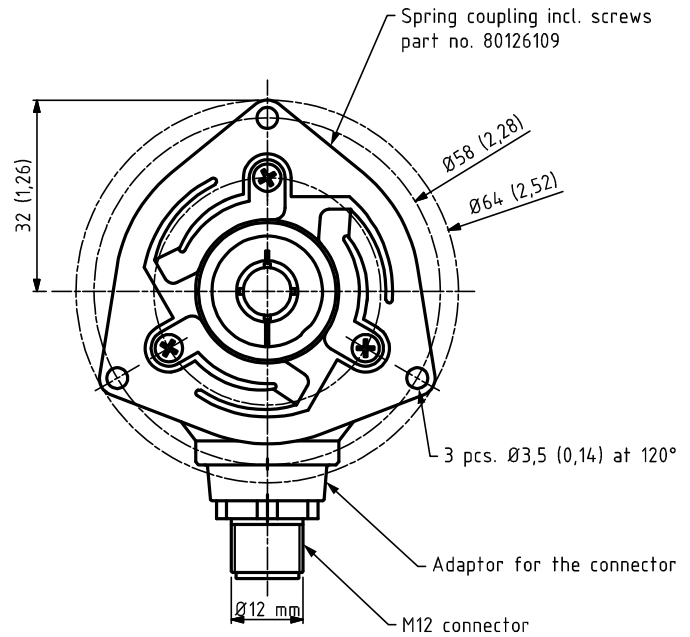
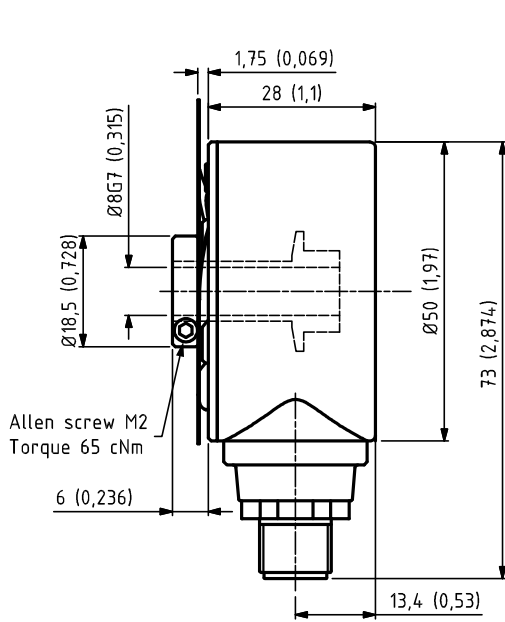
* Operating temperature: -20°C to 50°C

Mechanical Dimensions



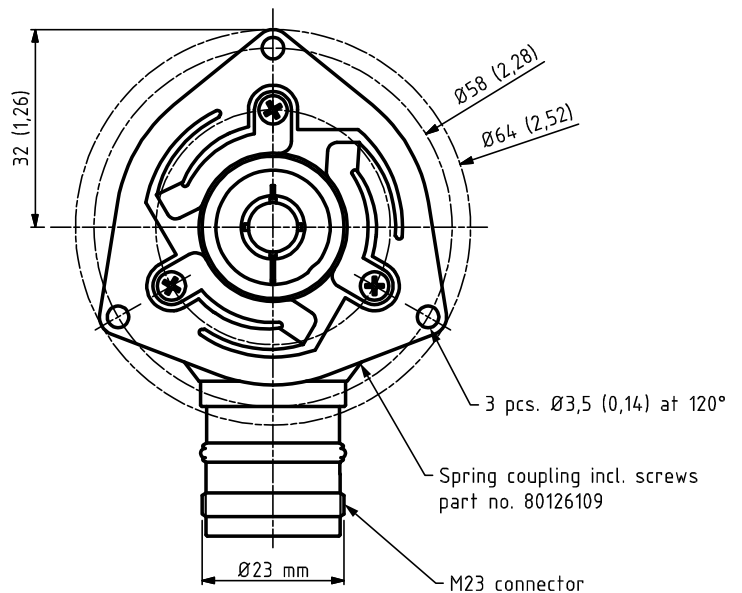
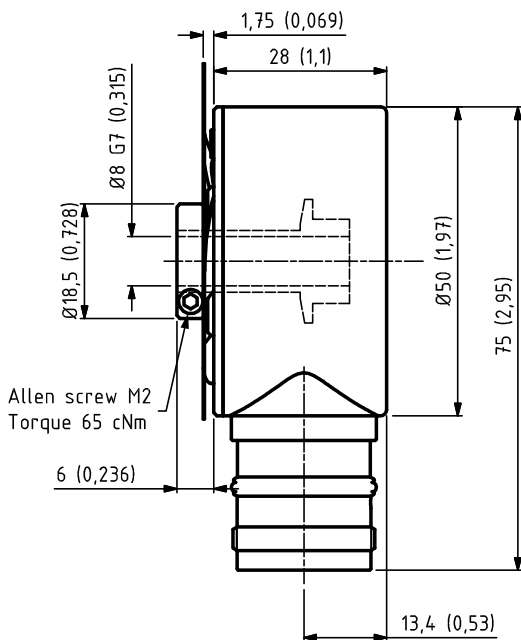
Standard Cable Gland
 Side (S) or Back (B)

mm (inches)



M12 Connector

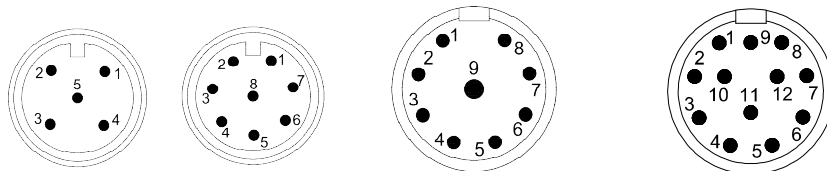
mm (inches)



M23 Connector

mm (inches)

Output Terminations



Channel	Standard Cable	
	Standard Output	Differential Output
Channel	Wire Color	
A	Pink	Pink
A -	Gray*	Gray
B	Green	Green
B -	Yellow*	Yellow
Z	White	White
Z -	Brown*	Brown
Vsup	Red	Red
GND	Blue	Blue

GND = Circuit Ground

* Internally connected as GND

Pin	M12 5 - pin	M12 8 - pin	M23 9 - pin	M23 9 - pin	M23 12 - pin	M23 12 - pin
	Standard Output	Differential Output	Standard Output	Differential Output	Standard Output	Differential Output
Pin	Channel	Channel	Channel	Channel	Channel	Channel
1	Vsup	A	A	A	GND	B -
2	B	Vsup	B	B	NC	NC
3	GND	A -	Z	Z	Z	Z
4	A	B	GND	A -	GND	Z -
5	Z	B -	GND	B -	A	A
6		Z	GND	Z -	GND	A -
7		GND	Vsup	Vsup	NC	NC
8		Z -	GND	GND	B	B
9			Shield	Shield	Shield	Shield
10					GND	GND
11					NC	NC
12					Vsup	Vsup

GND = Circuit Ground

Shield = Case Ground

Ordering Code

Example: SCH50F – 1024 – D – 08 – 26 – 65 – 01 – S – 00 – S1

SCH50F - [] - [] - [] - [] - [] - [] - [] - [] - []

Pulses per Revolution See table	Output <table border="1" style="margin-left: auto; margin-right: auto;"> <tr><td>Standard</td><td style="text-align: right;">N</td></tr> <tr><td>Standard – Open Collector NPN</td><td style="text-align: right;">NON</td></tr> <tr><td>Standard – Open Collector PNP</td><td style="text-align: right;">NOP</td></tr> <tr><td>Differential</td><td style="text-align: right;">D</td></tr> <tr><td>26C31 Line Driver 5V / 5V only</td><td style="text-align: right;">L</td></tr> <tr><td>OL 7272 Line Driver</td><td style="text-align: right;">M</td></tr> </table>	Standard	N	Standard – Open Collector NPN	NON	Standard – Open Collector PNP	NOP	Differential	D	26C31 Line Driver 5V / 5V only	L	OL 7272 Line Driver	M	Hollow Shaft Dia. <table border="1" style="margin-left: auto; margin-right: auto;"> <tr><td colspan="3" style="text-align: center;">IP65</td></tr> <tr><td>6 mm x 26 mm</td><td style="text-align: center;">6</td><td style="text-align: center;">- 26</td></tr> <tr><td>7 mm x 26 mm</td><td style="text-align: center;">7</td><td style="text-align: center;">- 26</td></tr> <tr><td>8 mm x 26 mm</td><td style="text-align: center;">8</td><td style="text-align: center;">- 26</td></tr> <tr><td>1/4 in x 26 mm</td><td style="text-align: center;">1/4</td><td style="text-align: center;">- 26</td></tr> <tr><td colspan="3" style="text-align: center;">IP66/67</td></tr> <tr><td>6 mm x 26 mm</td><td style="text-align: center;">6</td><td style="text-align: center;">- 26</td></tr> </table>	IP65			6 mm x 26 mm	6	- 26	7 mm x 26 mm	7	- 26	8 mm x 26 mm	8	- 26	1/4 in x 26 mm	1/4	- 26	IP66/67			6 mm x 26 mm	6	- 26	Hollow Shaft Length <table border="1" style="margin-left: auto; margin-right: auto;"> <tr><td colspan="2" style="text-align: center;">IP Rating</td></tr> <tr><td>IP 65</td><td style="text-align: right;">65</td></tr> <tr><td>IP 66*</td><td style="text-align: right;">66</td></tr> <tr><td>IP 67*</td><td style="text-align: right;">67</td></tr> <tr><td colspan="2" style="text-align: center;"><small>* Encoder total length is 38.2 mm for IP 66 and IP 67 options</small></td></tr> <tr><td colspan="2" style="text-align: center;">Cable Length</td></tr> <tr><td>Standard is 1 meter</td><td style="text-align: right;">01</td></tr> <tr><td>Specify length</td><td style="text-align: right;">XX</td></tr> <tr><td>No Cable</td><td style="text-align: right;">00</td></tr> </table>	IP Rating		IP 65	65	IP 66*	66	IP 67*	67	<small>* Encoder total length is 38.2 mm for IP 66 and IP 67 options</small>		Cable Length		Standard is 1 meter	01	Specify length	XX	No Cable	00	IP Rating <table border="1" style="margin-left: auto; margin-right: auto;"> <tr><td colspan="2" style="text-align: center;">Cable</td></tr> <tr><td>Side (radial)</td><td style="text-align: right;">S</td></tr> <tr><td>Back (axial)</td><td style="text-align: right;">B</td></tr> <tr><td colspan="2" style="text-align: center;">Connector</td></tr> <tr><td>Side (radial)</td><td style="text-align: right;">S</td></tr> </table>	Cable		Side (radial)	S	Back (axial)	B	Connector		Side (radial)	S	Cable Length <table border="1" style="margin-left: auto; margin-right: auto;"> <tr><td colspan="3" style="text-align: center;">Cable</td></tr> <tr><td>Side (radial)</td><td style="text-align: right;">S</td></tr> <tr><td>Back (axial)</td><td style="text-align: right;">B</td></tr> <tr><td colspan="3" style="text-align: center;">Connector</td></tr> <tr><td>Side (radial)</td><td style="text-align: right;">S</td></tr> </table>	Cable			Side (radial)	S	Back (axial)	B	Connector			Side (radial)	S	Takeout <table border="1" style="margin-left: auto; margin-right: auto;"> <tr><td colspan="3" style="text-align: center;">Cable</td></tr> <tr><td>Side (radial)</td><td style="text-align: right;">S</td></tr> <tr><td>Back (axial)</td><td style="text-align: right;">B</td></tr> <tr><td colspan="3" style="text-align: center;">Connector</td></tr> <tr><td>Side (radial)</td><td style="text-align: right;">S</td></tr> </table>	Cable			Side (radial)	S	Back (axial)	B	Connector			Side (radial)	S	Connector <table border="1" style="margin-left: auto; margin-right: auto;"> <tr><td>M12 5-pin</td><td style="text-align: right;">P5</td></tr> <tr><td>M12 8-pin</td><td style="text-align: right;">P8</td></tr> <tr><td>M23 9-pin</td><td style="text-align: right;">C9</td></tr> <tr><td>M23 12-pin</td><td style="text-align: right;">C12</td></tr> <tr><td>No Connector</td><td style="text-align: right;">00</td></tr> </table>	M12 5-pin	P5	M12 8-pin	P8	M23 9-pin	C9	M23 12-pin	C12	No Connector	00	Spring Coupling <table border="1" style="margin-left: auto; margin-right: auto;"> <tr><td>1 hole p/n 80146636</td><td style="text-align: right;">S1</td></tr> <tr><td>1 hole p/n 80141075</td><td style="text-align: right;">S2</td></tr> <tr><td>3 holes p/n 80126109</td><td style="text-align: right;">S3</td></tr> <tr><td>1 hole p/n 80140305</td><td style="text-align: right;">S4</td></tr> <tr><td>No spring coupling</td><td style="text-align: right;">00</td></tr> </table>	1 hole p/n 80146636	S1	1 hole p/n 80141075	S2	3 holes p/n 80126109	S3	1 hole p/n 80140305	S4	No spring coupling	00
Standard	N																																																																																																																
Standard – Open Collector NPN	NON																																																																																																																
Standard – Open Collector PNP	NOP																																																																																																																
Differential	D																																																																																																																
26C31 Line Driver 5V / 5V only	L																																																																																																																
OL 7272 Line Driver	M																																																																																																																
IP65																																																																																																																	
6 mm x 26 mm	6	- 26																																																																																																															
7 mm x 26 mm	7	- 26																																																																																																															
8 mm x 26 mm	8	- 26																																																																																																															
1/4 in x 26 mm	1/4	- 26																																																																																																															
IP66/67																																																																																																																	
6 mm x 26 mm	6	- 26																																																																																																															
IP Rating																																																																																																																	
IP 65	65																																																																																																																
IP 66*	66																																																																																																																
IP 67*	67																																																																																																																
<small>* Encoder total length is 38.2 mm for IP 66 and IP 67 options</small>																																																																																																																	
Cable Length																																																																																																																	
Standard is 1 meter	01																																																																																																																
Specify length	XX																																																																																																																
No Cable	00																																																																																																																
Cable																																																																																																																	
Side (radial)	S																																																																																																																
Back (axial)	B																																																																																																																
Connector																																																																																																																	
Side (radial)	S																																																																																																																
Cable																																																																																																																	
Side (radial)	S																																																																																																																
Back (axial)	B																																																																																																																
Connector																																																																																																																	
Side (radial)	S																																																																																																																
Cable																																																																																																																	
Side (radial)	S																																																																																																																
Back (axial)	B																																																																																																																
Connector																																																																																																																	
Side (radial)	S																																																																																																																
M12 5-pin	P5																																																																																																																
M12 8-pin	P8																																																																																																																
M23 9-pin	C9																																																																																																																
M23 12-pin	C12																																																																																																																
No Connector	00																																																																																																																
1 hole p/n 80146636	S1																																																																																																																
1 hole p/n 80141075	S2																																																																																																																
3 holes p/n 80126109	S3																																																																																																																
1 hole p/n 80140305	S4																																																																																																																
No spring coupling	00																																																																																																																

See accessories for drawings

Other options on request:
Please contact Scancon A/S