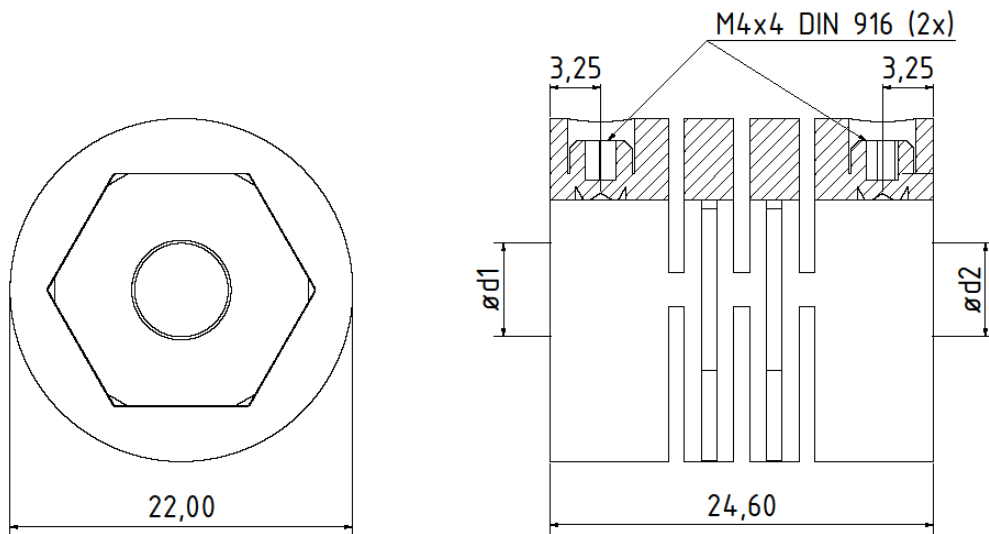


Coupling Plast

Technical data	SKPS 2224
Max offset of shaft:	
Radial	± 0,3 mm
Axial	± 0,3 mm
Angular	± 3 Degree
Moment of inertia	7 gcm ²
Max clamping torque	120 Ncm
Weight	10 g
Temperatur range	-10 -> +80 °C



d1	d2	Type nr.	Ordering nr.	
4	4	SKPS 2224 04/04	08410099	*
6	6	SKPS 2224 06/06	08410100	*
6	8	SKPS 2224 06/08	08410048	
6	10	SKPS 2224 06/10	08410050	
8	8	SKPS 2224 08/08	08410101	*
8	10	SKPS 2224 08/10	08410102	*
10	10	SKPS 2224 10/10	08410103	*

*Not on stock