

## Cable gland



- Certified Ex db eb I Mb
- Entry thread: M20 and M25
- IP 66/68 (IP 68 1 hour/10meter)
- Non – armoured
- Stainless steel AISI316L

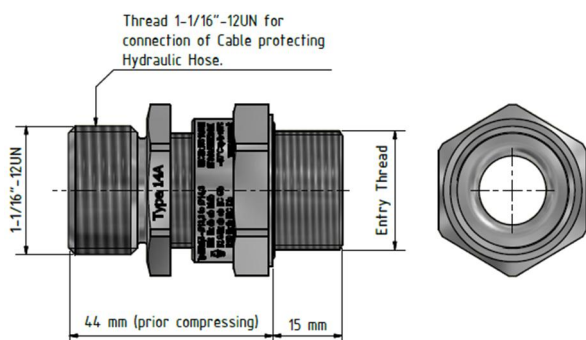
### Certifications

<b>ATEX:</b>	Certificate No.: ITS16ATEX18432X I M2 Ex db eb I Mb, II 2 G Ex db eb IIC Gb, II 2 D Ex tb IIIC Db Service temperature: -40°C to +100°C
<b>IECEX:</b>	Certificate No.: IECEX ITS 16.0019X Ex db eb I Mb, Ex db eb IIC Gb, Ex tb IIIC Db Service temperature: -40°C to +100°C

### Application:

The cable glands Type 07, 09, 10, 12, 14 in version A, B or C (only 12,14) provides a seal on the outer cable sheath and they are intended for use on circular non-armoured plastic and elastomer insulated cables. The cable glands are suitable for mining application as well as for installation in Zone 1 (21) and Zone 2 (22). Cable glands have an IP66 rating in accordance with IEC 60079-0. Additionally an IP68 for 1 hours at 10 meters in accordance with IEC 60529.

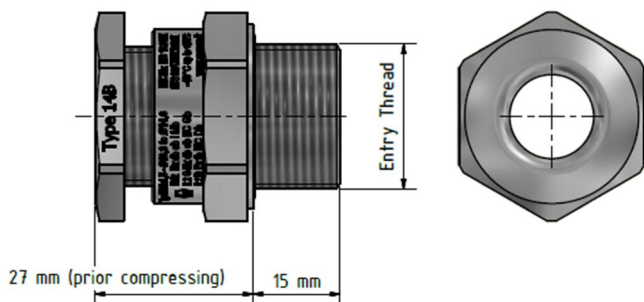
### Type A: with 1-1/16"-12UN thread for Cable protecting hydraulic hose



Cable gland ORDERING number	Type	Entry thread	Cable Outer Sheath * Ø min.-max. [mm] (Ø min.-max. - inch)
80230198	Type 07A	M20x1,5	6,30 – 7,40 (0,248-0,291)
80230193	Type 09A	M20x1,5	8,30 – 9,40 (0,327-0,370)
80230189	Type 10A	M20x1,5	9,70 – 10,8 (0,381-0,425)
80230183	Type 12A	M20x1,5	10,8 – 12,3 (0,425-0,484)
80230177	Type 14A	M25x1,5	13,3 – 14,3 (0,523-0,563)

\*) Tolerances should be considered.

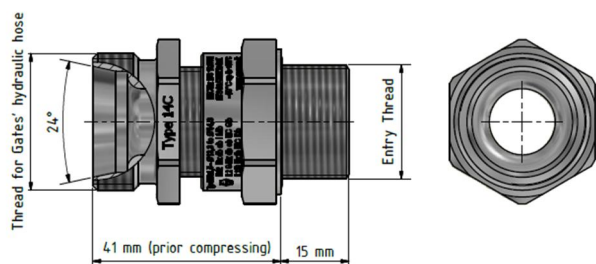
## Type B:



Cable gland ORDERING number	Type	Entry thread	Cable Outer Sheath * Ø min.-max. [mm] (Ø min.-max.- inch)
80230381	Type 07B	M20x1,5	6,30 – 7,40 (0,248-0,291)
80230380	Type 09B	M20x1,5	8,30 – 9,40 (0,327-0,370)
80230378	Type 10B	M20x1,5	9,70 – 10,8 (0,381-0,425)
80230377	Type 12B	M20x1,5	10,8 – 12,3 (0,425-0,484)
80230181	Type 14B	M25x1,5	13,3 – 14,3 (0,523-0,563)

\*) Tolerances should be considered.

## Type C: with metric thread for Cable protecting Gates' hydraulic hoses



Cable gland ORDERING number	Type	Entry thread	Thread for hydraulic hose	Cable Outer Sheath * Ø min.-max. [mm] (Ø min.-max.- inch)
80230185	Type 12C	M20x1,5	M26x1,5	10,8 – 12,3 (0,425-0,484)
80230178	Type 14C	M25x1,5	M30x2,0	13,3 – 14,3 (0,523-0,563)

\*) Tolerances should be considered.